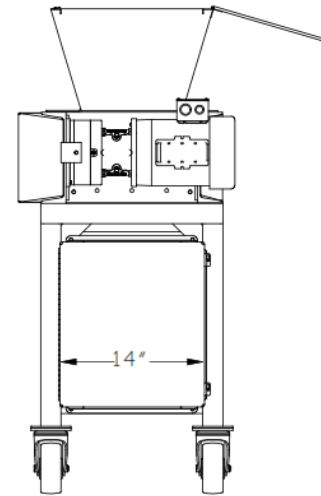
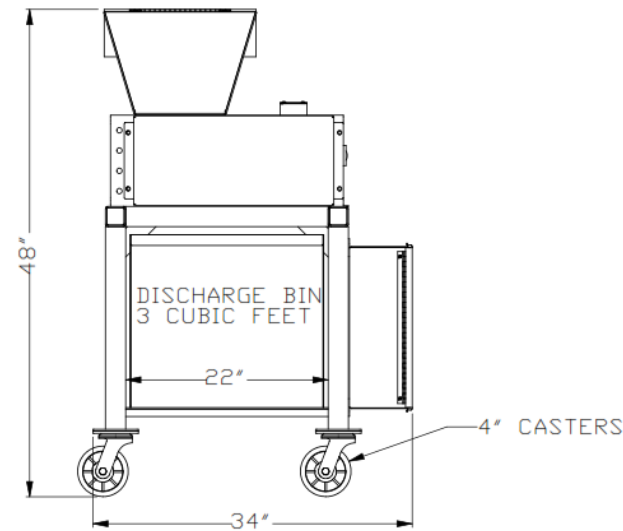
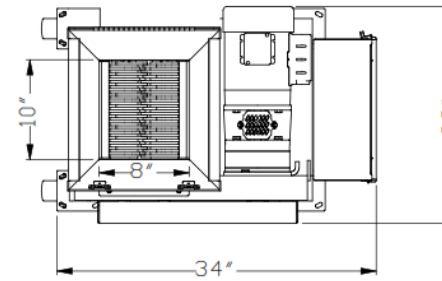


MJ-21001

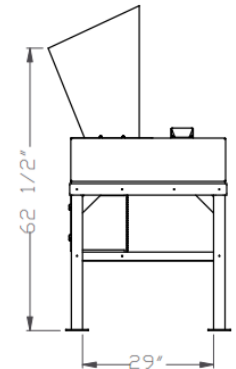
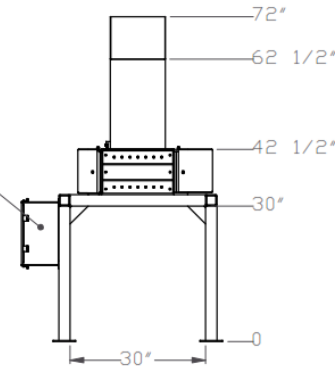
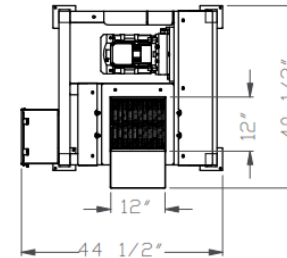


SPÉCIFICATIONS

MODÈLE	HP	COUTEAUX	CHAMBRE DE COUPE	VOLTAGE
MJ-2101	1	5/16	8 X 8	120/220V / 1PH

LES DÉCHETS DE PLANTES MÉDICALES COMPRENNENT

PLANTES MÉDICINALES	TIGES	PLANTES DE CHAMVRE
PLANTES VÉGÉTALES	FEUILLES	DÉCHETS DES RÉCOLTES
BOULES DE RACINES	ROCKWOOL	



MJ-21005

SPÉCIFICATIONS

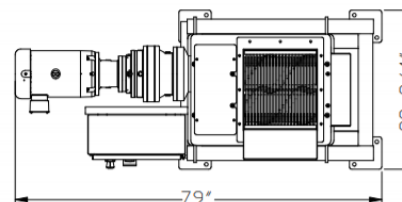
MODÈLE	HP	COUTEAUX	CHAMBRE DE COUPE (POUCES)	VOLTAGE
MJ-21003	3	5/16	12 X 12	220V/1PH 460V/600V/3PH
MJ-21005	5	5/16	12 X 12	220V/1PH 460V/600V/3PH

LES DÉCHETS DE PLANTES MÉDICALES COMPRENNENT

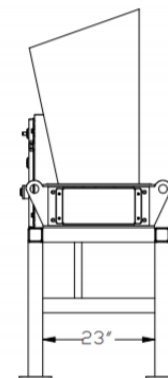
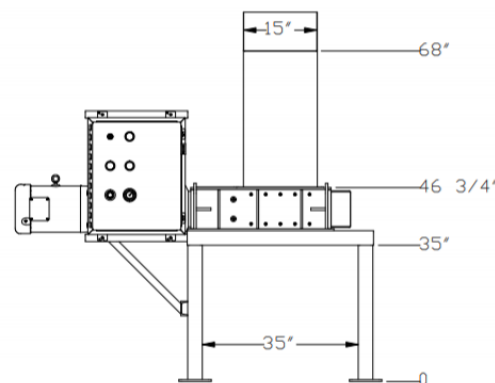
PLANTES MÉDICALES	TIGES	PLANTES DE CHAMVRE
PLANTES VÉGÉTALES	FEUILLES	DÉCHETS DES RÉCOLTES
BOULES DE RACINES	ROCKWOOL	



MJ-21010



MJ-21020



SPÉCIFICATIONS

MODÈLE	HP	COUTEAUX	CHAMBRE DE COUPE	VOLTAGE
MJ-20110-30	10-30	5/16	15 X 15	460V/600V-3PH

LES DÉCHETS DE PLANTES MÉDICINALES COMPRENNENT

PLANTES MÉDICINALES	TIGES	PLANTES DE CHAMVRE
PLANTES VÉGÉTALES	FEUILLES	DÉCHETS DES RÉCOLTES
BOULES DE RACINES	ROCKWOOL	

Ameri-Shred's Medical Plant Waste Shredders utilize a low speed, high torque design to easily shred medical plant waste to a desired size.

MEDICAL PLANT WASTE INCLUDES:

- Medicinal Plants
- Vegetative Plants
- Plant Root Balls
- Plant Stems & Stalks
- Plant Leaves
- Rockwool
- Hemp Plant Waste
- Failed Clones
- Harvest Waste



Features & Options

BEARING PROTECTION

Shredded contaminants are prevented from reaching the bearings through the use of false walls and seals.

INDIVIDUAL CLEANING FINGERS

Reduces wrapping and material packing between the cutters, while being easy to remove and adjust.

CUSTOM LAYOUTS

System Engineers will work to ensure the shredder and supports fit seamlessly into your system.

CUTTER DESIGN

The number and length of hooks, as well as cutter width are selected to maximize throughput.

AUTO SHAFT REVERSAL

Improves online reliability by reorienting material to grab, preventing overfeeding, and protecting against damage from unshreddable objects.

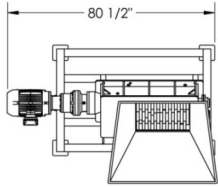
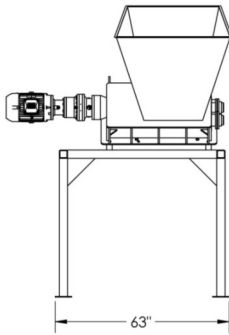
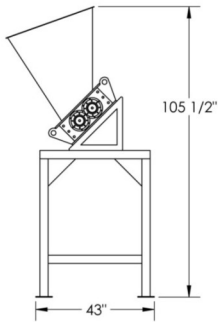
HIGH TORQUE, LOW SPEED TECHNOLOGY

Less downtime, noise and dust emission than high speed shredders.

MEDICAL PLANT WASTE SHREDDERS

MJ Dual Shaft Shredders

SPECIFICATIONS:				
MODEL	HP	CUTTER WIDTH	CUTTING CHAMBER	POUNDS PER HOUR
MJ-21001	1	1/4"	8" W x 10" L	100
MJ-21003	3	1/4"	12" W x 12" L	300
MJ-21005	5	5/16"	12" W x 12" L	500
MJ-21010	10	5/16"	15" W x 15" L	1000
MJ-21015	15	5/16"	15" W x 15" L	1500
MJ-21020	20	5/16"	15" W x 15" L	2000
MJ-21025	25	5/8"	20" W x 20" L	2500
MJ-21030	30	5/8"	20" W x 20" L	3000



SPECIFICATIONS:	
DRIVE	ELECTRIC
VOLTAGE	208/230/460V - 3 PHASE
MJ-21001	120/220V - 1 PHASE
MJ-21003	220V - 1 PHASE
MJ-21005	220V - 1 PHASE
CUTTER MATERIAL	4140 HT, AR500
SMALLER CUTTER WIDTH	ADDITIONAL
LOCKABLE WASTE CHAMBER	ADDITIONAL

